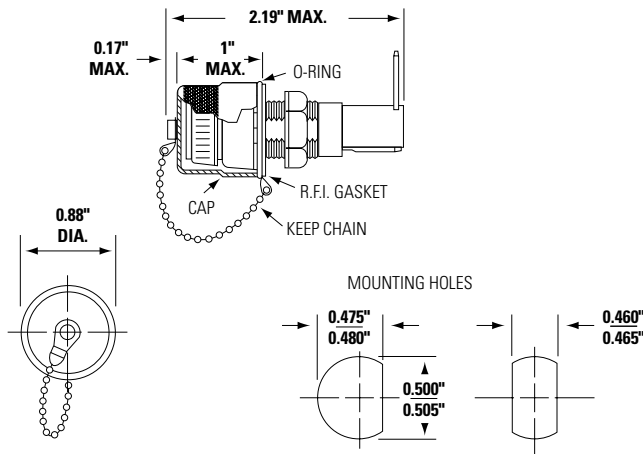


### 340 Series RF Shielded / Watertight Panel Mount Fuse Holders for 3AB/3AG Fuses



#### Dimensions



#### Additional Information



Datasheet



Resources



Samples

#### Product Characteristics

Compatible Fuses	For 3AG and 3AB Fuses
<b>Description</b>	Radio frequency shielded fuseholders eliminate possible transmission or reception of RF signals through the hole in the chassis in which the fuseholder is mounted. These fuseholders comply with the watertight construction requirement of MIL-PRF-19207 and the Shock-Safe requirements of IEC 60127-6. A rubber O-ring and conductive gasket maintain RF shielding and watertight construction.
<b>Electrical</b>	Rated at 20 amperes for any voltage up to 300 volts.
<b>Ambient Temperature</b>	-40°C to +85°C.
<b>Dielectric Strength</b>	4000 volts minimum.
<b>Insulation Resistance</b>	10,000 megohm minimum at 500 V.
<b>Contact Resistance</b>	Less than .005 ohms average at currents up to 1 amp.
<b>Mounting</b>	Withstand 15 Lb-in mounting torque. Maximum panel thickness is 0.31"
<b>Molded Parts</b>	Body material: Thermoplastic
<b>Knob Material</b>	Thermoplastic
<b>Terminals</b>	Brass. Tin plated, accept solder or .187" female connector.

Refer to [Fuseology](#) for information on proper fuseholder re-rating.

#### Agency Approvals

Agency	Agency File Number
	7316

#### Ordering Information

Part Number	Brass Shielding Cap Finish	Packing
<b>03400312Z</b>	Nickel plated	Bulk (100 Pieces)
<b>03400313Z</b>	Dull Black	Bulk (1 Piece)