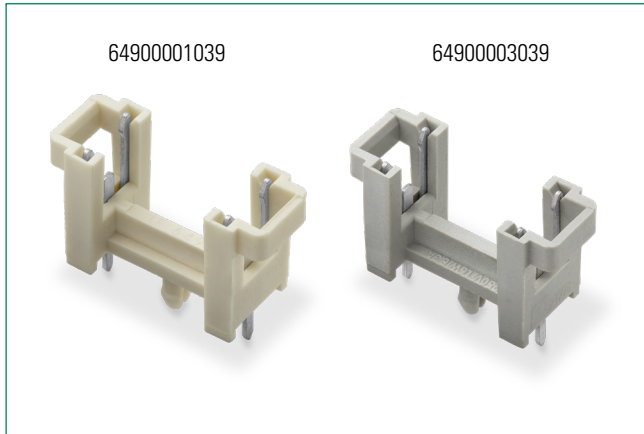


649 Series

Molded Fuse Block, PC Mount for 5x20mm Fuses



Product Specifications

Compatible Fuse Size	5 x 20 mm standard cartridge fuse	
Ordering Number	64900001039	64900003039
Materials	Holder: Tan thermoplastic PA66 UL94 V-0	Holder: Grey Thermoplastic, PA 66 UL94 V-0
	Metal Parts: Tin Plated Copper Alloy	
Electrical Data	Rated Voltage: 250V Max. Current/Power: 6.3A/1.6W	
Mounting	Solder pins 0.5 x 1.0mm and plastic stud	
Operating Temperature	-30°C to +85°C	
Stock Conditions	+10°C to +60°C relative humidity ≤ 75% yearly average, without dew, maximum value for 30 days - 95%	
Contact Resistance	≤ 5mΩ	
Isolation Resistance	10 ² MΩ	
Solderability	235°C, 2 sec. (soldering bath; IEC 60068-2-20)	
Soldering Heat Resistance	260°C, 10 sec. (soldering bath; IEC 60068-2-20)	
Minimum Cross Section	Conducting path - 0.2mm ²	
Unit Weight	1.2g	

Additional Information



Resources



Accessories



Samples

Agency Approvals

Agency	Agency File Number
	E14721
	40015067

Ordering Information

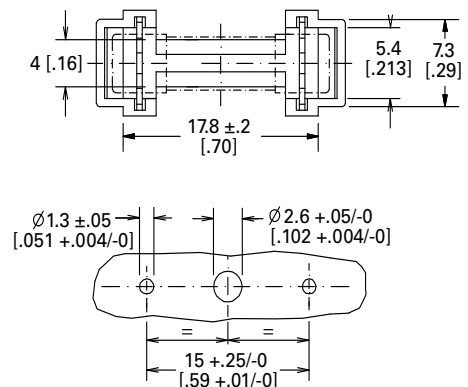
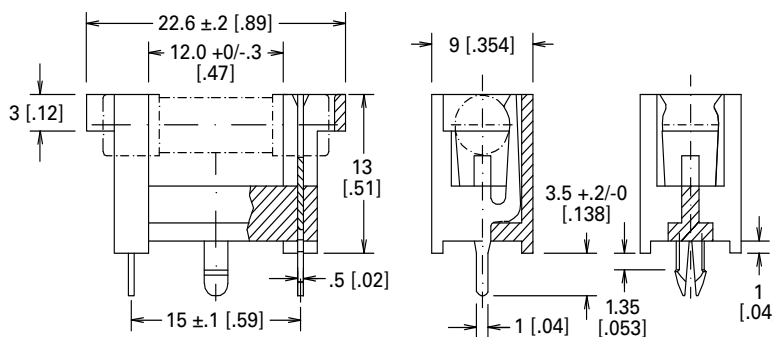
Ordering PN	Description	Packaging
64900001039	Block Holder for 5x20 big box	Bulk (3000pcs)
64900003039	Block Holder for 5x20 MM GW	Bulk (3000pcs)

Notes:

1. Ensure that proper fuse re-rating is factored in fuseholder selection.

Dimensions

Dimensions in millimeter [inch]



Dimensions of holes in the printed circuit board.
Thickness of printed circuit board: 1.6 ±.14 [.063 ±.005]

Disclaimer Notice - Information furnished is believed to be accurate and reliable. However, users should independently evaluate the suitability of and test each product selected for their own applications. Littelfuse products are not designed for, and may not be used in, all applications. Read complete Disclaimer Notice at: www.littelfuse.com/disclaimer-electronics.